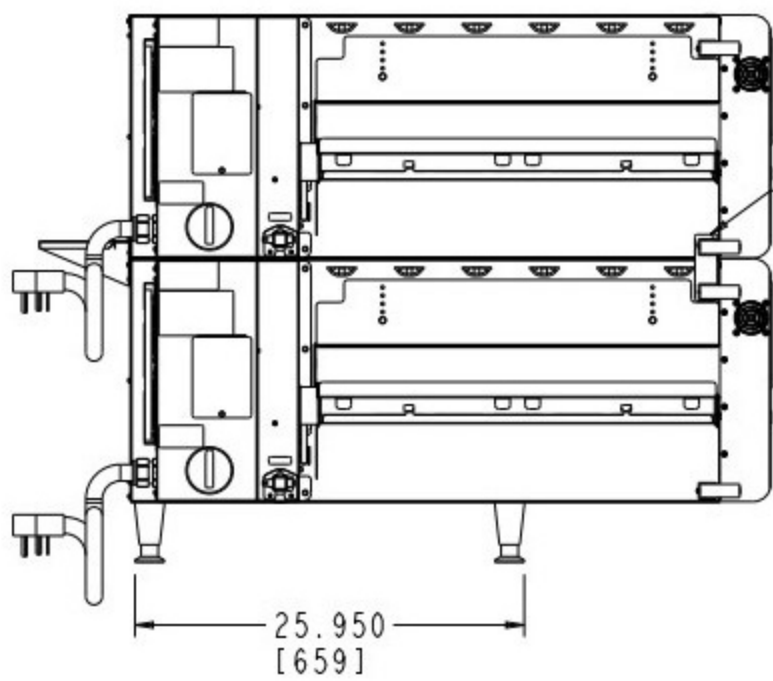
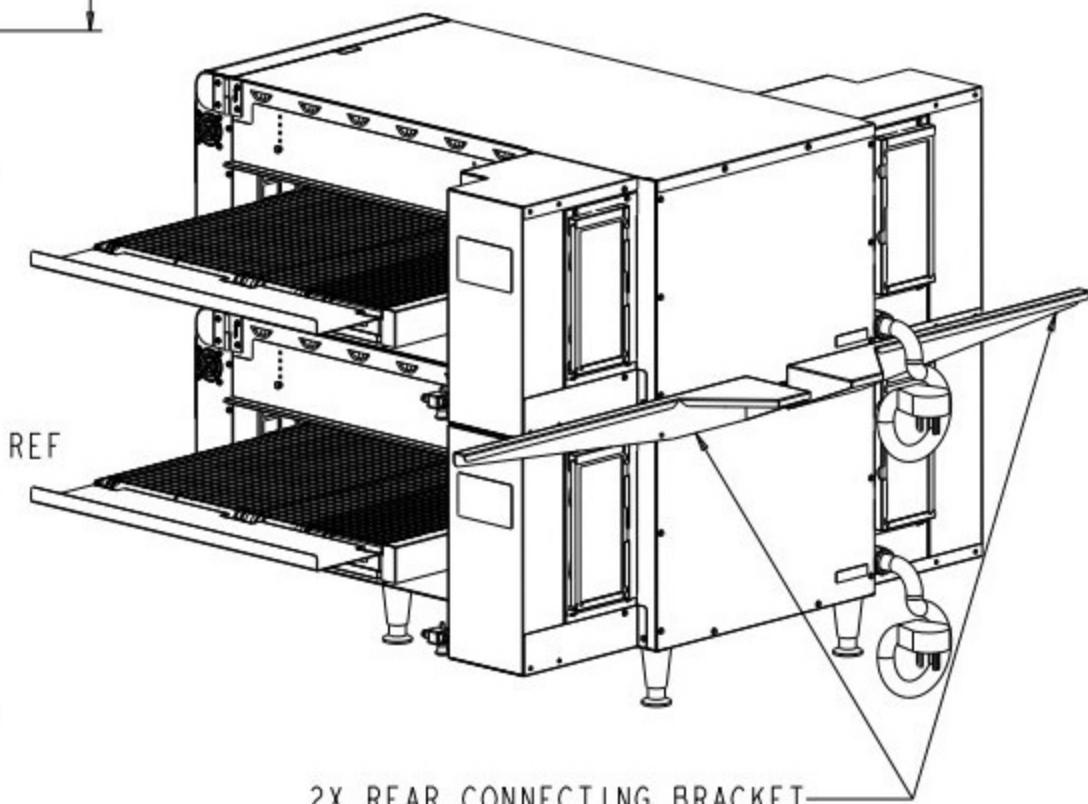
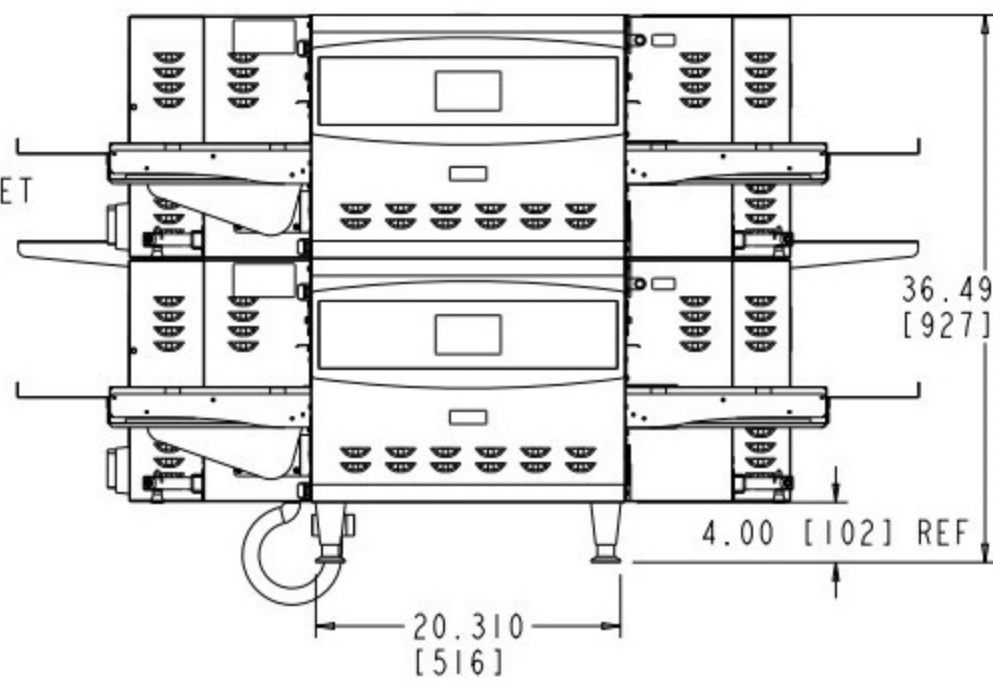


OVNTN-STK-7  
 FOR STACKING UP TO (2) HIGH  
 ANY SAME-SIZE COMBINATION  
 OF 3-PHASE SHUTTLE AND/OR  
 CONVEYOR OVENS



LATCH BRACKET



2X REAR CONNECTING BRACKET  
 MAINTAINS REQUIRED 6"  
 CLEARANCE FROM BACK AND SIDES